

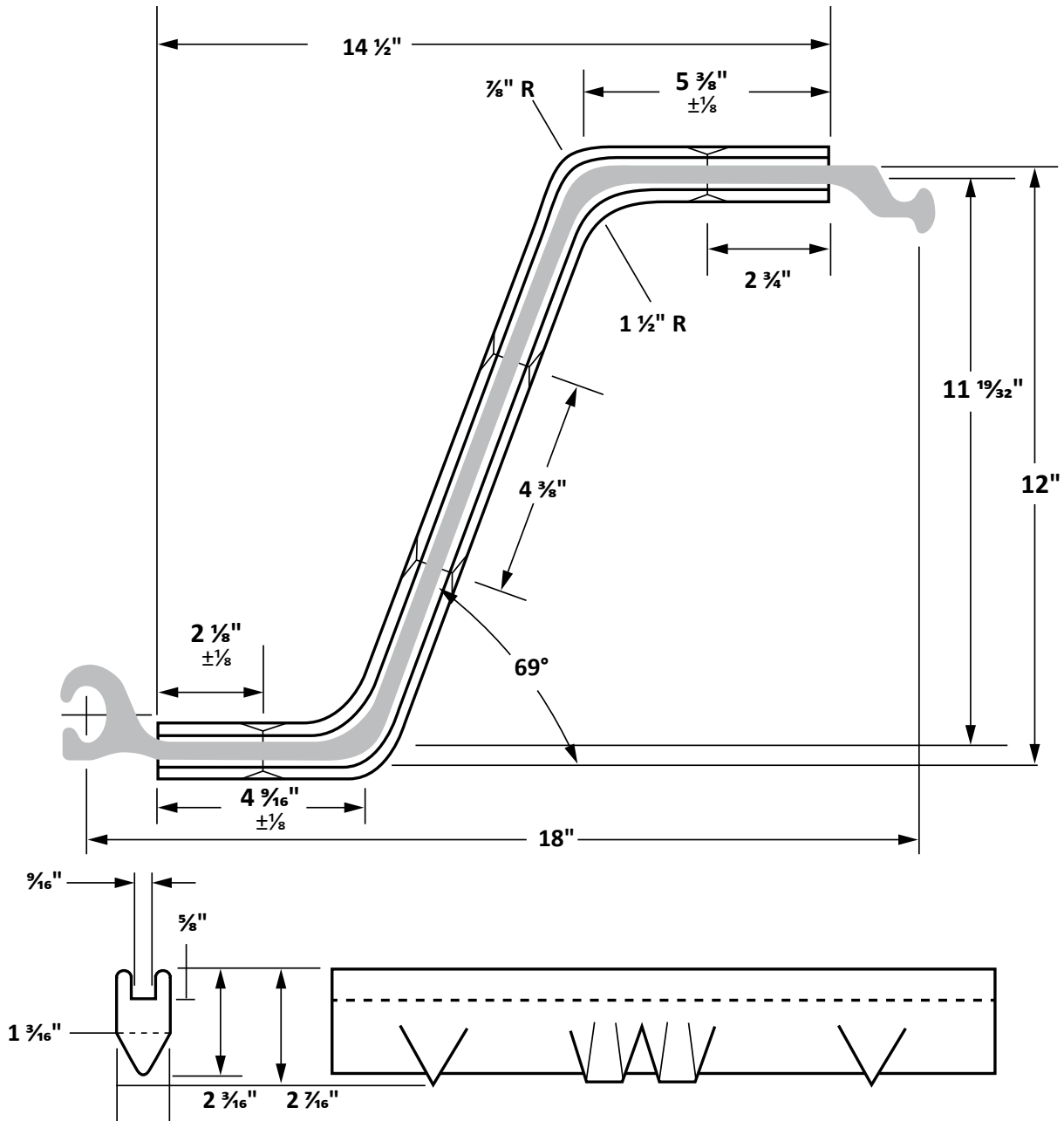
SHEET PILE PROTECTOR

SP - PZ - 27

MATERIAL: CAST STEEL

ASTM A148 90/60

Normal foundry tolerances apply



**ASSOCIATED PILE
& FITTING**

45 Samworth Road, Clifton, NJ 07014

Tel: 973-773-8400

Fax: 973-773-8442

email: apf@associatedpile.com

www.associatedpile.com

Call Toll Free: 800-526-9047